

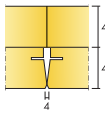


# Ecophon Akusto™ Wall C Extra Bass

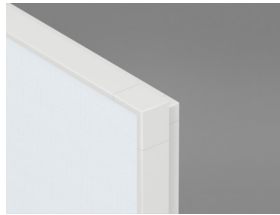
Ecophon Akusto™ Wall C Extra Bass has a concealed grid and bevelled edge to create a narrow groove between each panel. Available in a variety of surface options. The wall absorber has excellent sound absorption qualities from low to high sound frequencies. Best room acoustic properties are achieved when used together with a sound absorbing ceiling.



## SYSTEM RANGE



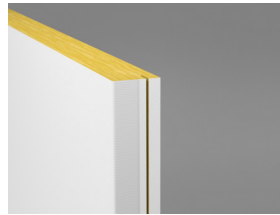
Size, mm	2700x600
Akusto Extra Bass (40mm)	•
Thickness	40
Inst. Diagr.	M535, M547



Akusto Wall C Extra Bass system



Akusto Wall C Extra Bass system from above



Akusto Wall C

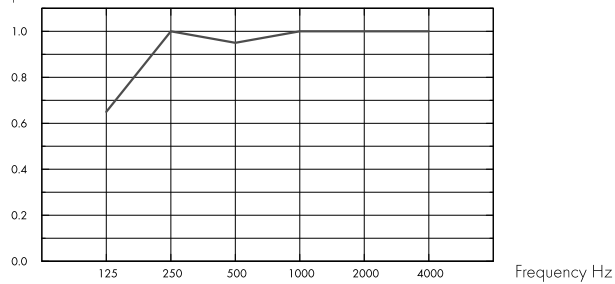
## Acoustic



### Sound Absorption:

Test results according to EN ISO 354. Classification according to EN ISO 11654, and the single value ratings for Noise Reduction Coefficient, NRC and Sound Absorption Average, SAA according to ASTM C 423.

$\alpha_p$ , Practical sound absorption coefficient



– Akusto Wall C Extra Bass 80 mm, 80 mm o.d.s.  
o.d.s = overall depth of system

	THK mm	o.d.s. mm	$\alpha_p$ , Practical sound absorption coefficient					$\alpha_w$	Sound absorption class
			125 Hz	250 Hz	500 Hz	1000 Hz	2000 Hz		
Extra Bass	80	80	0.65	1.00	0.95	1.00	1.00	1.00	A

	THK mm	o.d.s. mm	NRC	SAA
Extra Bass	80	80	1.00	1.00

## Indoor Air Quality



Certificate / Label	
Eurofins Indoor Air Comfort®	IAC Gold
French VOC	A+
Finnish M1	•



## Carbon footprint



	kg CO <sub>2</sub> equiv./m <sup>2</sup>	Life-cycle stages A1 to C4 from EPD, in conformity with ISO 14025 / EN 15804
Akusto Wall C Extra Bass/Texona	10,8	
Akusto Wall C Extra Bass/Akutex FT	10,4	

## Circularity



Minimum post-consumer recycled content	60%
Recyclability	Fully recyclable



## Fire safety

Country	Fire standard	Class
Europe	EN 13501-1	A2-s1,d0

The glass wool core of the tiles is tested and classified as non-combustible according to EN ISO 1182.



## Humidity Resistance

Class C, relative humidity 95% and 30°C, according to EN 13964:2014



## Visual appearance

Akusto Wall in white has high light reflectance. Light reflectance and nearest NCS colour sample for all the different colours: See Ecophon Colours and surfaces.



## Cleanability

Daily dusting, vacuum cleaning and weekly wet wiping (Akutex FT surface). Weekly dusting and vacuum cleaning (Texona) as required.



## Use of disinfectants

Texona Ginger, Sea salt, Thyme, Oyster and Garlic withstand the frequent use of ethanol (70%)-based disinfectants. Dampen a soft polyester microfiber cloth with the solution and wipe the surface in gentle circular movements.



## Accessibility

The tiles are non-demountable.



## Installation

Installed according to installation diagrams, installation guides and drawing aid.



## System weight

	kg/m <sup>2</sup>
Akusto Wall C/Akutex FT	3,5
Akusto Wall C/Texona	3,5
Akusto Extra Bass	1,2

Weight information is indicative and subject to variation.



## Mechanical properties

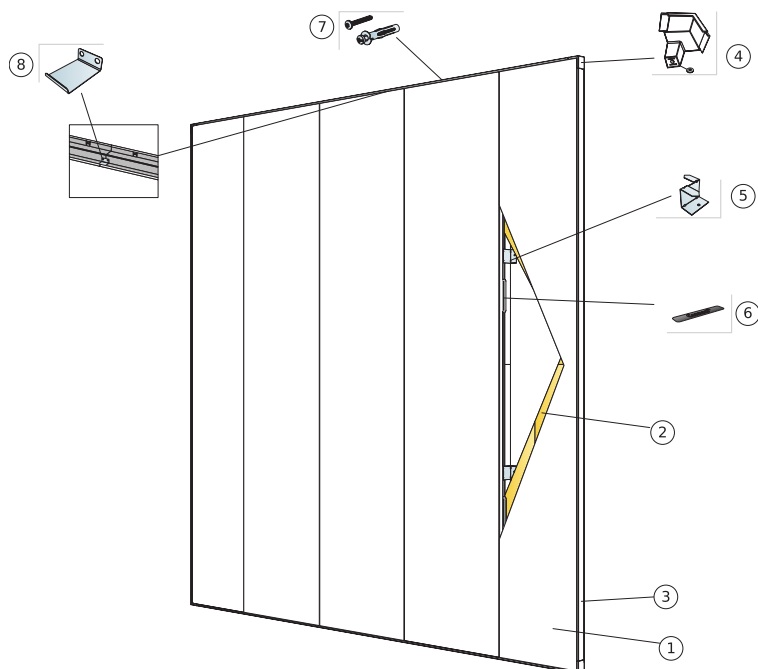
No additional live load is allowed.



## CE

Ecophon ceiling systems are CE marked according to the European harmonized standard EN13964:2014. CE marked construction products are covered by a Declaration of Performance (DOP) which enables customers and users to easily compare performance of products available on the European market.

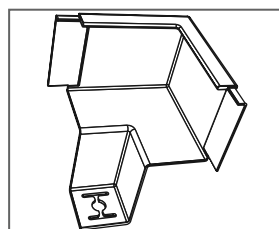
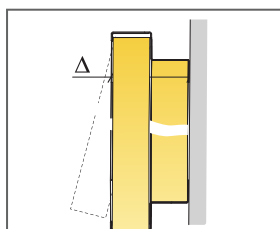
## INSTALLATION DIAGRAM (M535) FOR ECOPHON AKUSTO WALL C EXTRA BASS VERTICAL INSTALLATION WITH CONNECT SHADOW PROFILES.



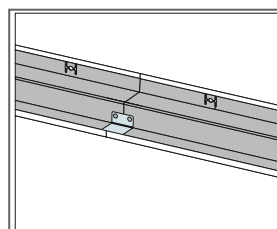
© Ecophon Group

### QUANTITY SPECIFICATION (EXCL. WASTAGE)

	<b>Size, mm</b>
	<b>2700x600</b>
1 Akusto Wall C	0,62/m <sup>2</sup>
2 Akusto Extra Bass	1,25/m <sup>2</sup>
3 Connect Shadow Profile	as required
4 Connect Shadow Corner (Incl. washer for leveling)	as required
5 Connect Ambit fixing installed at 1000 mm centres	as required
6 Connect Spline	as required
7 Installation screw, installed at 200 mm centres (select fastener according to wall material)	as required
8 Connect Shadow Splice. Used to extend profiles where needed.	as required



Detail of panel with Thinline frame

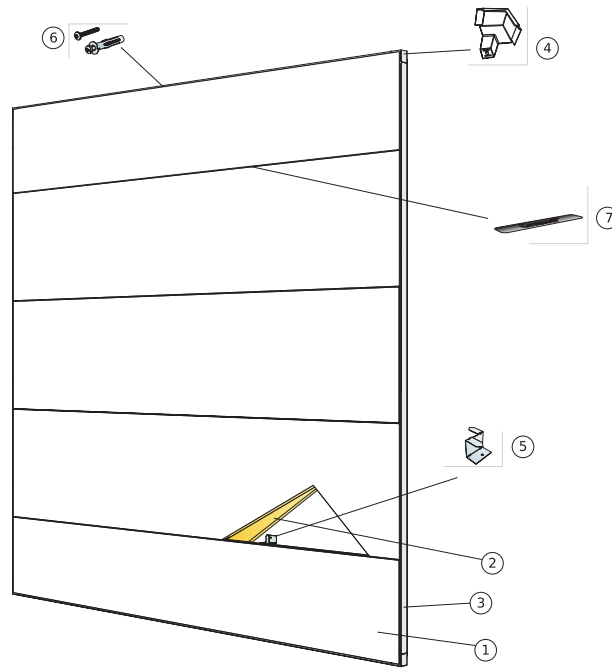


Detail of panel with Thinline frame

Size, mm	Max live load [N]	Min load bearing capacity [N]
2700x600x40	0	-

Live load/load bearing capacity

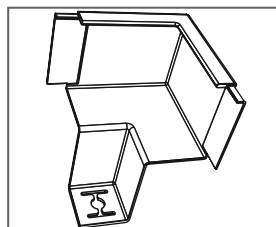
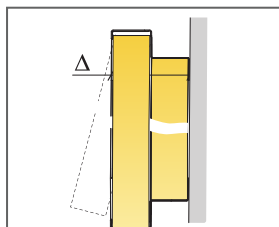
## INSTALLATION DIAGRAM (M547) FOR ECOPHON AKUSTO WALL BASS HORIZONTAL INSTALLATION WITH CONNECT SHADOW PROFILES.



© Ecophon Group

### QUANTITY SPECIFICATION (EXCL. WASTAGE)

	<b>Size, mm</b>
	<b>2700x600</b>
1 Akusto Wall C	0,62/m <sup>2</sup>
2 Akusto Extra Bass	1,25/m <sup>2</sup>
3 Connect Shadow Profile	as required
4 Connect Shadow Corner (Incl. washer for leveling)	as required
5 Connect Ambit fixing installed at 1000 mm centres	as required
6 Installation screw, installed at 200 mm centres (select fastener according to wall material)	as required
7 Connect Spline	as required
8 Connect Shadow Splice. Used to extend profiles where needed.	as required



Detail of panel with Thinline frame

Size, mm	Max live load [N]	Min load bearing capacity [N]
2700x600x40	0	-

Live load/load bearing capacity