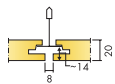


Ecophon Focus™ Dg

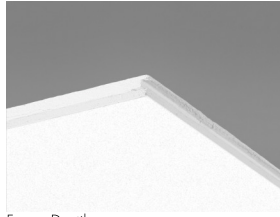
Ecophon Focus™ Dg conceals the supporting tile edges and creates a distinctive floating appearance. Tiles are easily demountable even in areas where there is a very small overall depth of system. For applications where a unique demountable suspended ceiling is required.



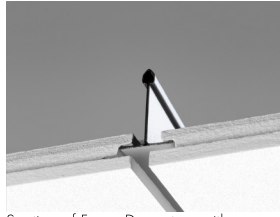
SYSTEM RANGE



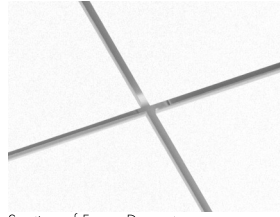
| Size, mm | 600x600 | 1200x600 | 1200x1200 | XL 1600x600 | XL 1800x600 | XL 2000x600 | XL 2400x600 |
|--------------|---------|----------|-----------|----------------|----------------|----------------|----------------|
| T24 | • | • | • | • | • | • | • |
| Thickness | 20 | 20 | 25 | 20 | 20 | 20 | 20 |
| Inst. Diagr. | M202 | M202 | M203 | M204 | M204 | M204 | M204 |



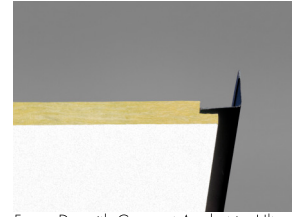
Focus Dg tile



Section of Focus Dg system with Connect T24 Main runner HD



Section of Focus Dg system



Focus Dg with Connect Angle trim Ultra matt black

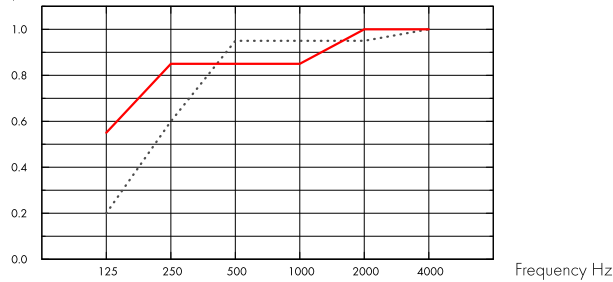
Acoustic



Sound Absorption:

Test results according to EN ISO 354. Classification according to EN ISO 11654, and the single value ratings for Noise Reduction Coefficient, NRC and Sound Absorption Average, SAA according to ASTM C 423.

α_p , Practical sound absorption coefficient



..... Focus Dg 20 mm, 65 mm o.d.s.

— Focus Dg 20 mm, 200 mm o.d.s.

o.d.s = overall depth of system

| THK mm | o.d.s. mm | α_p , Practical sound absorption coefficient | | | | | | α_w | Sound absorption class |
|--------|-----------|---|--------|--------|---------|---------|---------|------------|------------------------|
| | | 125 Hz | 250 Hz | 500 Hz | 1000 Hz | 2000 Hz | 4000 Hz | | |
| 20 | 65 | 0.20 | 0.60 | 0.95 | 0.95 | 0.95 | 1.00 | 0.90 | A |
| 20 | 200 | 0.55 | 0.85 | 0.85 | 0.85 | 1.00 | 1.00 | 0.90 | A |

| THK mm | o.d.s. mm | NRC | SAA |
|--------|-----------|------|------|
| 20 | 65 | 0.90 | 0.89 |
| 20 | 400 | 0.80 | 0.82 |

| THK mm | AC(1.5) |
|--------|---------|
| 20 | 180 |

Articulation Class, ASTM E1111, ASTM E1110



Cradle to Cradle Certified®



This product is Cradle to Cradle Certified® at Bronze level (version 4.0).



Material Health

This product has received a C2C Certified Material Health Certificate™ at the Silver level (standard version 4.0). The C2C Certified Material Health Certificate™ is a verification of the health and safety of a product's composition using the Material Health requirements of the Cradle-to-Cradle Certified Product Standard.



Carbon footprint

| kg CO ₂ equiv/m ² | | Life-cycle stages A1 to C4 from EPD, in conformity with ISO 14025 / EN 15804 |
|---|------|--|
| Focus Dg | 4,20 | |



Circularity

| | |
|--|------------------|
| Minimum post-consumer recycled content | 59% |
| Recyclability | Fully recyclable |



Fire safety

| Country | Fire standard | Class | The glass wool core of the tiles is tested and classified as non-combustible according to EN ISO 1182. |
|---------|---------------|----------|--|
| Europe | EN 13501-1 | A2-s1,d0 | |



Humidity Resistance

Class C, relative humidity 95% and 30°C, according to EN 13964:2014



Visual appearance

White Frost, nearest NCS colour sample S 0500-N, 85% light reflectance. Gloss < 1.



Cleanability

Daily dusting and vacuum cleaning. Weekly wet wiping.



Accessibility

The tiles in size 600x600 and 1200x600 are easily demountable. The tiles in size 1200x1200 and XL sizes are demountable. Minimum demounting depth according to installation diagrams.



Installation

Installed according to installation diagrams, installation guides and drawing aid. For information regarding minimum overall depth of system see quantity specification. The systems are not recommended for small rooms (approximately 2x2 m2). Ceilings with a large amount of integrations require careful planning, design and installation.



System weight

| | kg/m ² | Weight information is indicative and subject to variation. |
|--------------------------------------|-------------------|--|
| Focus Dg | 2,3 | |
| Focus Dg + Connect grid system | 3,3 | |
| Focus Dg 25 mm | 2,8 | |
| Focus Dg 25 mm + Connect grid system | 3,8 | |



Mechanical properties

See table about Max live load and Min load bearing capacity and Functional demands, Mechanical properties at www.ecophon.com.



CE

Ecophon ceiling systems are CE marked according to the European harmonized standard EN 13964:2014. CE marked construction products are covered by a Declaration of Performance (DOP) which enables customers and users to easily compare performance of products available on the European market.

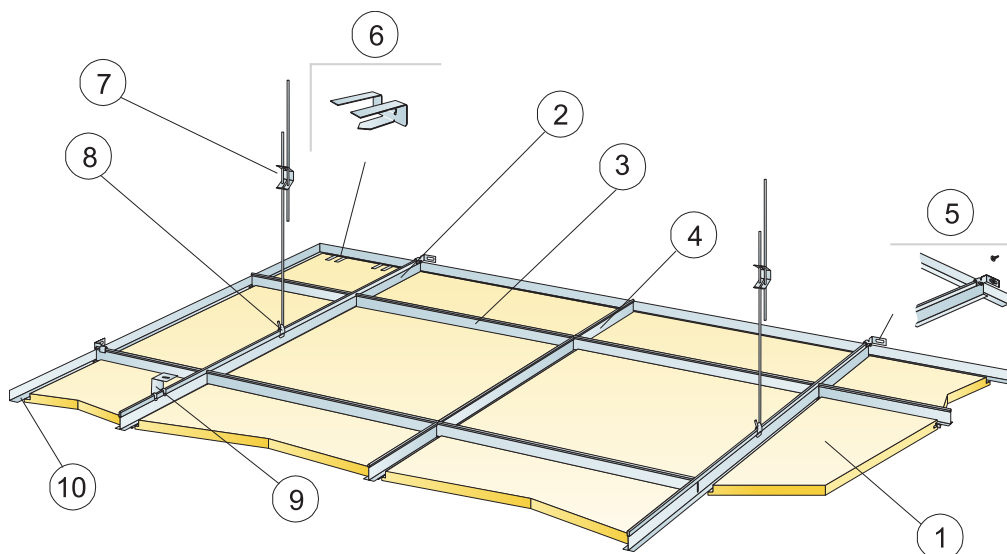


Indoor Air Quality

| Certificate / Label | All Products |
|------------------------------|--------------|
| Eurofins Indoor Air Comfort® | IAC Gold |
| French VOC | A+ |
| Finnish M1 | • |



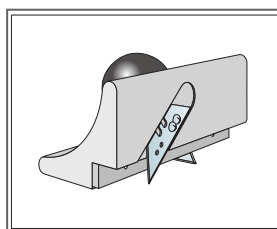
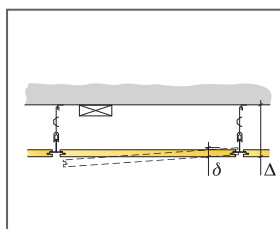
INSTALLATION DIAGRAM (M202) FOR ECOPHON FOCUS DG 600X600, 1200X600 MM



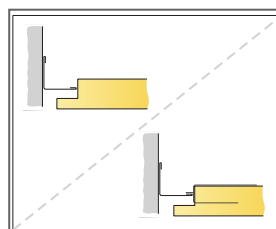
© Ecophon Group

QUANTITY SPECIFICATION (EXCL. WASTAGE)

| | Size, mm | |
|--|--------------------------------|---------------------|
| | 600x600 | 1200x600 |
| 1 Focus Dg | 2,8/m ² | 1,4/m ² |
| 2 Connect T24 Main runner HD, installed at 1200 mm centres (max. distance from wall 600 mm, can be extended up to 1200 mm if no live load between Main runner and wall). | 0,9m/m ² | 0,9m/m ² |
| 3 Connect T24 Cross tee, L=1200 mm, installed at 600 mm centres | 1,7m/m ² | 1,7m/m ² |
| 4 Connect T24 Cross tee, L=600 mm | 0,9m/m ² | - |
| 5 Connect Wall Bracket for T-profiles | 1/suspended row of Main runner | |
| 6 Connect Support clip DG20 | 1/300-400mm on any cut edge | |
| 7 Connect Adjustable Hanger, installed at 1200 mm centres (max. distance from wall 600 mm) | 0,7/m ² | 0,7/m ² |
| 8 Connect Hanger Clip (not to be used in swimming hall environments) | 0,7/m ² | 0,7/m ² |
| 9 For direct installation: Connect Direct Bracket, installed at 1200 mm centres | 0,7/m ² | 0,7/m ² |
| 10 Connect Angle trim, fixed at 300 mm centres | as required | as required |
| Min. overall depth of system, with Adjustable hanger: 115 mm, with Direct bracket: 65 mm | - | - |
| δ Min. demounting depth: 30 mm | - | - |
| For luminaire integration in panels use Connect Bridging | - | - |



Cutting tool Dg

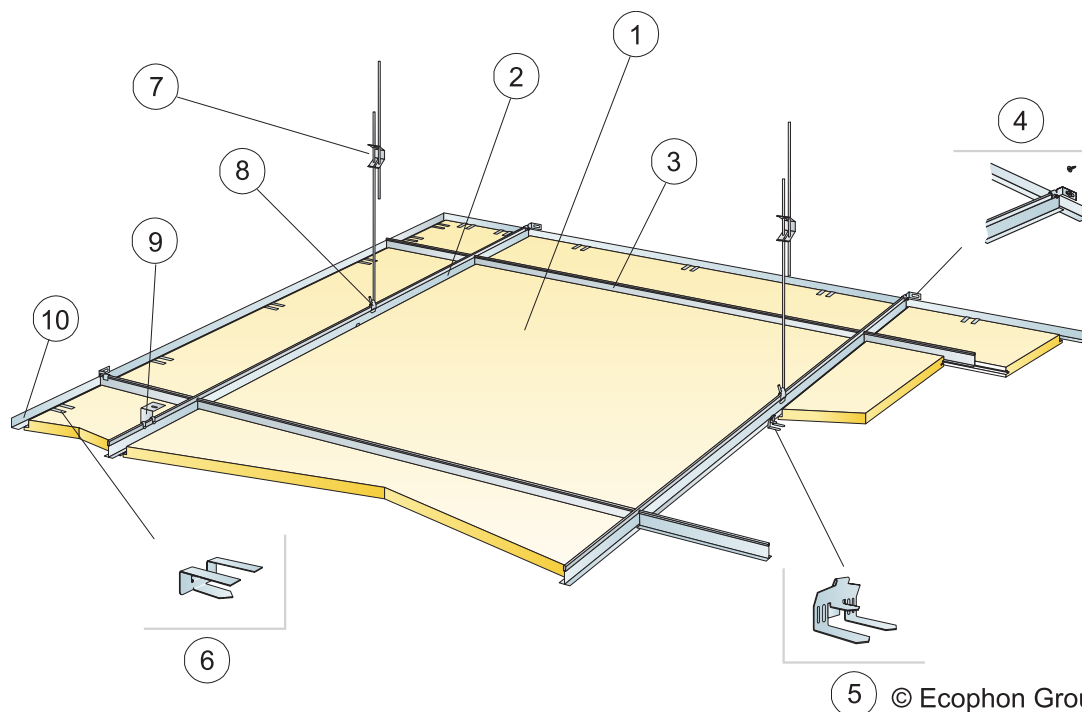


Cut edge with and without support clip

| Size, mm | Max live load [N] | Min load bearing capacity [N] |
|-------------|-------------------|-------------------------------|
| 600x600x20 | 50 | 160 |
| 1200x600x20 | 50 | 160 |

Live load/load bearing capacity

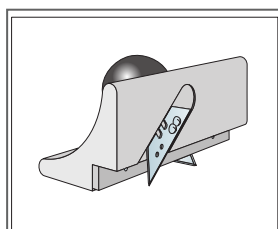
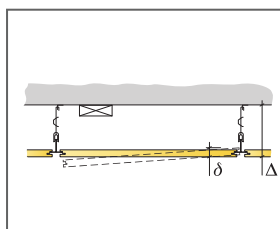
INSTALLATION DIAGRAM (M203) FOR ECOPHON FOCUS DG 1200X1200 MM



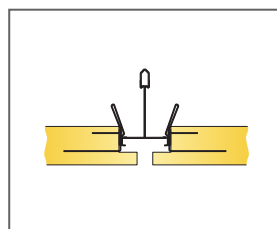
5 © Ecophon Group

QUANTITY SPECIFICATION (EXCL. WASTAGE)

| | Size, mm |
|--|--------------------------------|
| | 1200x1200 |
| 1 Focus Dg | 0,7/m ² |
| 2 Connect T24 Main runner HD, installed at 1200 mm centres (max. distance from wall 600 mm, can be extended up to 1200 mm if no live load between Main runner and wall). | 0,9m/m ² |
| 3 Connect T24 Cross tee, L=1200 mm, installed at 1200 mm centres | 0,9m/m ² |
| 4 Connect Wall Bracket for T-profiles | 1/suspended row of Main runner |
| 5 Connect Edge clip | 1,4/m ² |
| 6 Connect Support clip DG25 | 1/300-400mm on any cut edge |
| 7 Connect Adjustable Hanger, installed at 1200 mm centres (max. distance from wall 600 mm) | 0,7/m ² |
| 8 Connect Hanger Clip (not to be used in swimming hall environments) | 0,7/m ² |
| 9 For direct installation: Connect Direct Bracket, installed at 1200 mm centres | 0,7/m ² |
| 10 Connect Angle trim, fixed at 300 mm centres | as required |
| Min. overall depth of system, with Adjustable hanger: 115 mm, with Direct bracket: 65 mm | - |
| δ Min. demounting depth: 30 mm | - |
| For luminaire integration in panels use Connect Bridging | - |



Cutting tool Dg

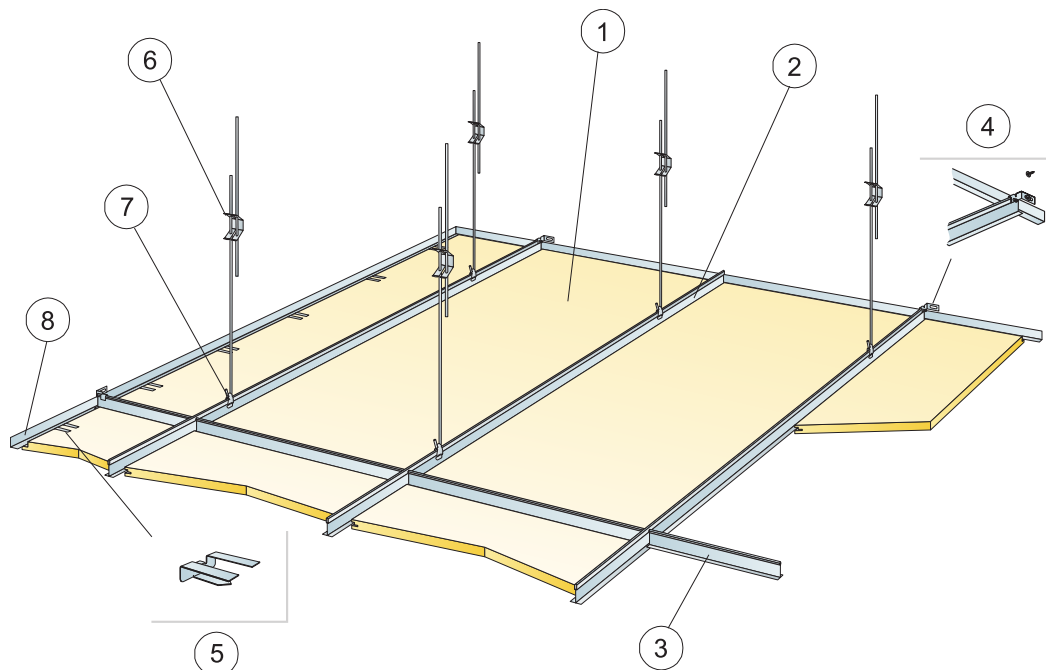


Joint between two unsupported edges with Edge clip

| Size, mm | Max live load [N] | Min load bearing capacity [N] |
|--------------|-------------------|-------------------------------|
| 1200x1200x25 | 50 | 160 |

Live load/load bearing capacity

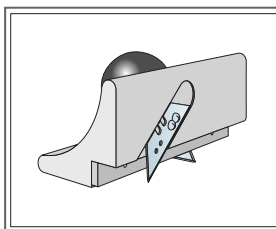
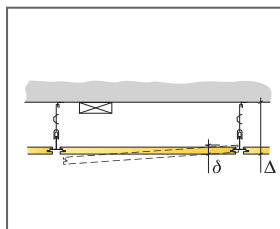
INSTALLATION DIAGRAM (M204) FOR ECOPHON FOCUS DG XL



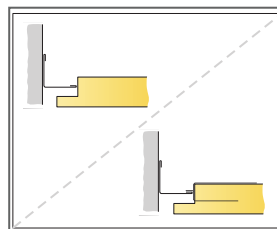
© Ecophon Group

QUANTITY SPECIFICATION (EXCL. WASTAGE)

| | Size, mm | | | |
|--|--|---------------------|---------------------|----------------------|
| | 1600x600 | 1800x600 | 2000x600 | 2400x600 |
| 1 Focus Dg XL | 1,05/m ² | 0,95/m ² | 0,85/m ² | 0,7/m ² |
| 2 Connect T24 Main runner HD, installed at 600 mm centres | 1,7m/m ² | 1,7m/m ² | 1,7m/m ² | 1,7m/m ² |
| 3 Connect T24 Cross tee, L=600 mm | 0,65m/m ² | 0,6m/m ² | 0,5m/m ² | 0,45m/m ² |
| 4 Connect Wall Bracket for T-profiles | 1/suspended row of Main runner | | | |
| 5 Connect Support clip DG20 | 1pc/300-400 mm on every cut perimeter tile with only 1 supporting edge | | | |
| 6 Connect Adjustable hanger, installed at 1500 mm centres (max. distance from wall 450 mm) | 1,1/m ² | 1,1/m ² | 1,1/m ² | 1,1/m ² |
| 7 Connect Hanger clip | 1,1/m ² | 1,1/m ² | 1,1/m ² | 1,1/m ² |
| 8 Connect Angle trim, fixed at 300 mm centres | as required | as required | as required | as required |
| Δ Min. overall depth of system: 115 mm | - | - | - | - |
| δ Min. demounting depth: 30 mm | - | - | - | - |



Cutting tool Dg



Cut edge with and without support clip

| Size, mm | Max live load [N] | Min load bearing capacity [N] |
|-------------|-------------------|-------------------------------|
| 1600x600x20 | 50 | 160 |
| 1800x600x20 | 50 | 160 |
| 2000x600x20 | 50 | 160 |
| 2400x600x20 | 50 | 160 |

Live load/load bearing capacity